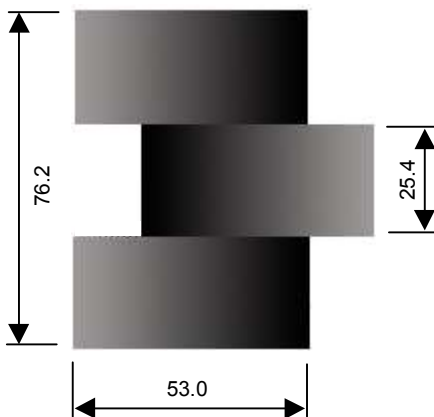
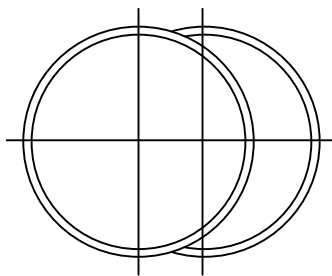


# Probe Options

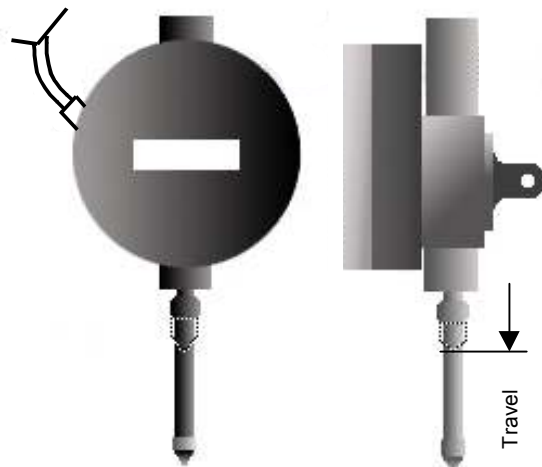


- |      |                                 |      |                        |
|------|---------------------------------|------|------------------------|
| P16  | Setting Gauge                   | P30  | Swivel Ball Probe      |
| P21  | Digital Transducer Probe        | P31  | Ruby Ball Stylus 2mm   |
| P21a | Digital Transducer Probe        | P32  | Ruby Ball Stylus 4mm   |
| P22  | Digital Transducer Probe Holder | P34R | Ruby Ball Stylus 8mm   |
| P23  | Taper Probe 0 – 10mm            | P34S | Steel Ball Stylus 8mm  |
| P24  | Taper Probe 9.5 – 20mm          | P35R | Ruby Ball Stylus 10mm  |
| P25  | Parallel Probe                  | P35S | Steel Ball Stylus 10mm |
| P26  | Extension Probe Holder          | P36  | Disc Stylus 6mm        |
| P27  | Scriber Probe                   | P37  | Disc Stylus 10mm       |
| P28  | Depth Gauge                     | P28  | Disc Stylus 20mm       |
| P29  | Dial Indicator Holder           |      |                        |

Non standard probes can be purchased to customers requirements.



**Setting Gauge P16**

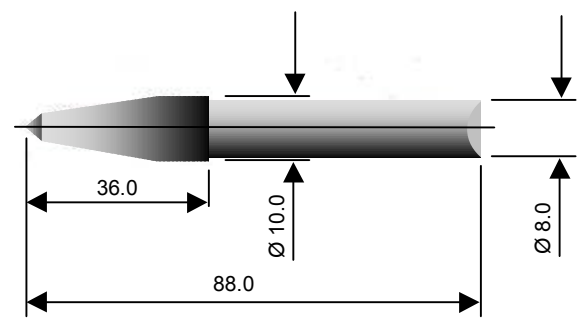


**Digital Transducer Probe**

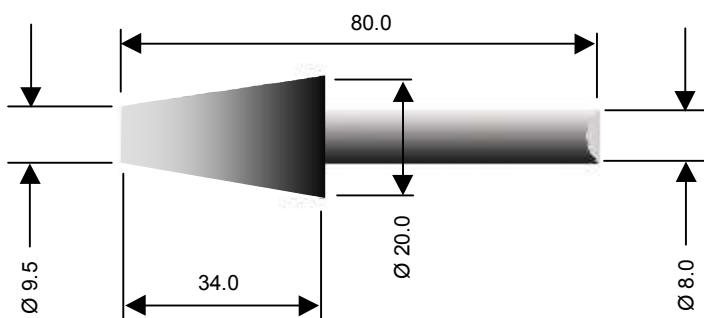
P21 Travel = 6mm  
P21A Travel = 12mm



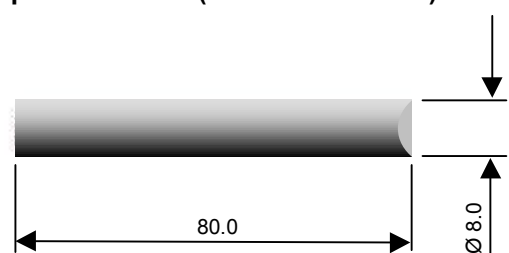
**Digital Transducer Probe Holder P22**



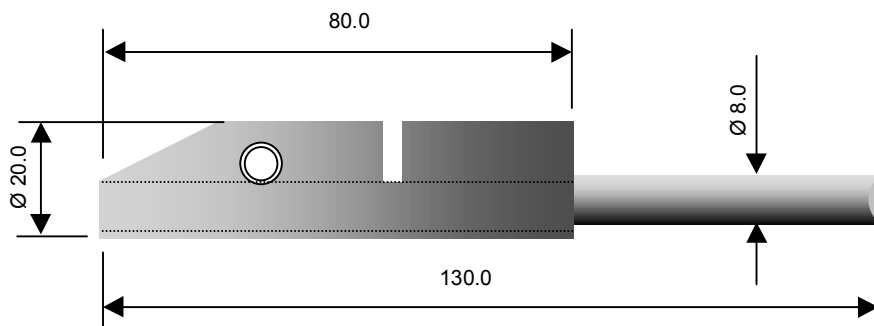
**Taper Probe P23 (Ø 0.0 – Ø 10.0mm)**



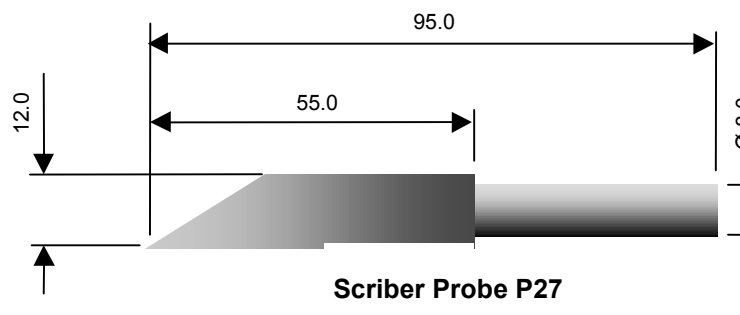
**Taper Probe P24 (Ø 9.5 – Ø 20.0)**



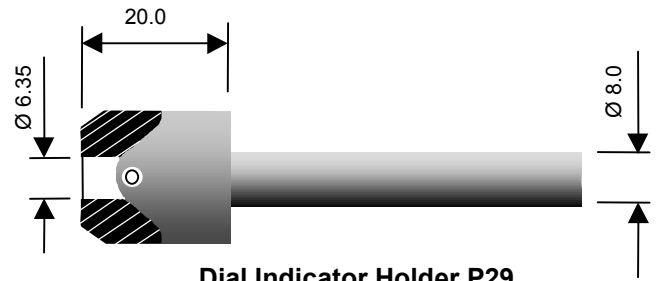
**Parallel Probe P25**



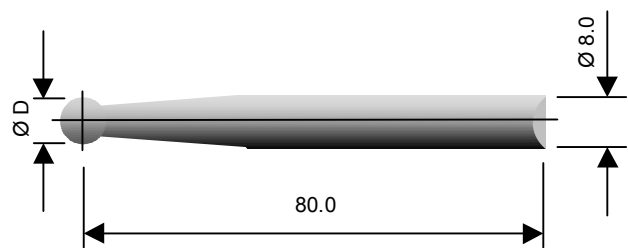
**Extension Probe Holder P26**



**Scriber Probe P27**



**Dial Indicator Holder P29**

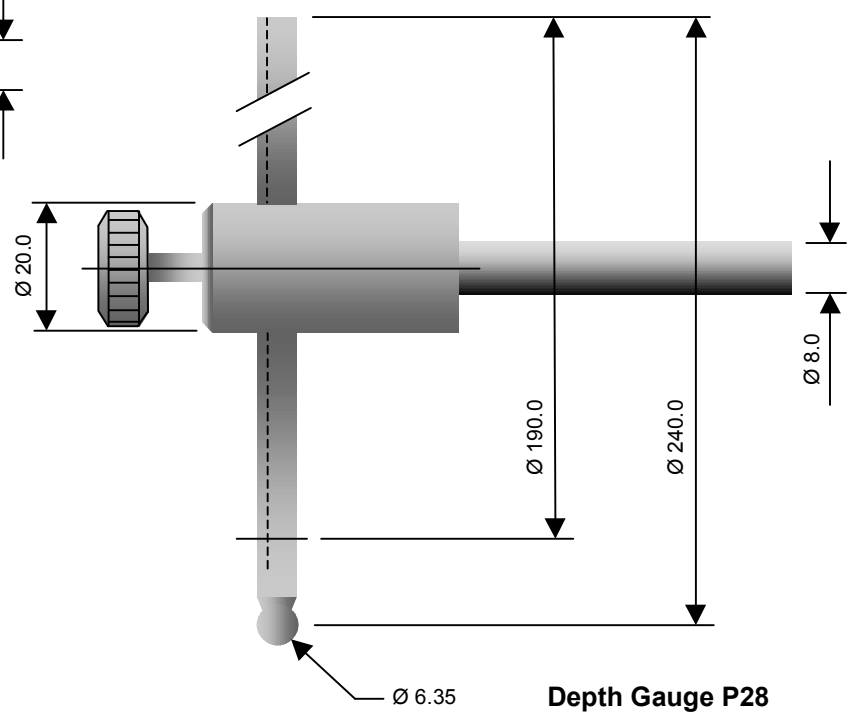


**Ruby Balls**

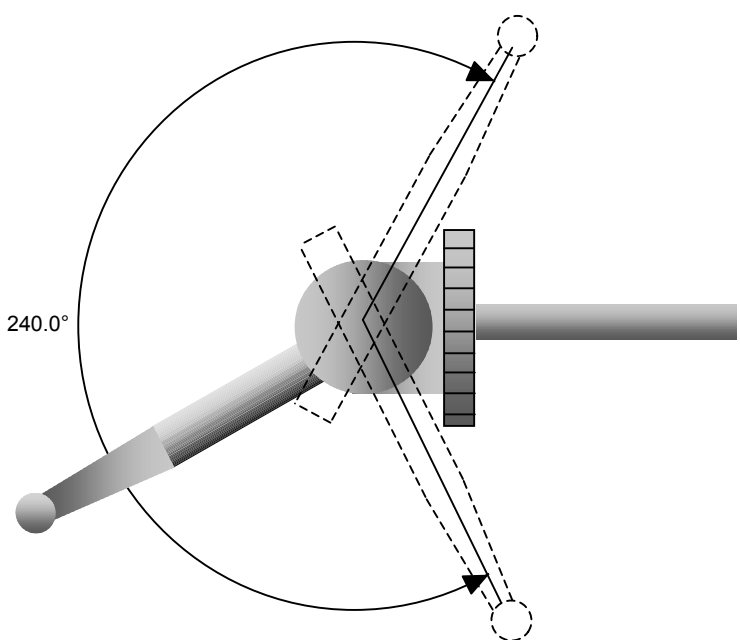
- D = 2mm P31
- D = 4mm P32
- D = 6mm P33
- D = 8mm P34R
- D = 10mm P35R

**Steel Balls**

- D = 8mm P34S
- D = 10mm P35S

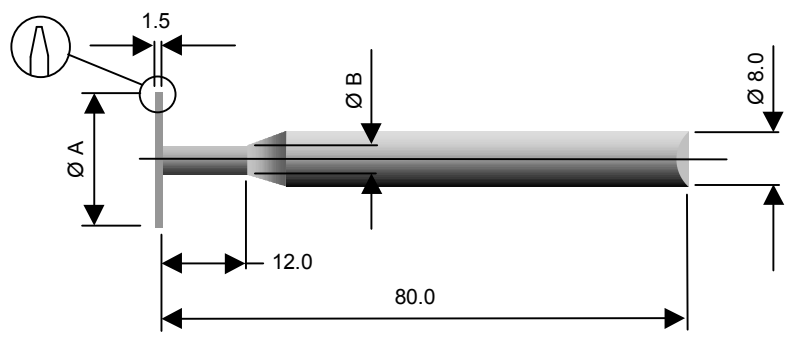


**Depth Gauge P28**



**Articulated Probe Holder P30**

Probe not included – suitable for probes with Ø 8.0mm shank



**Disc Probes**

- Ø A = 6mm      Ø B = 4mm P36
- Ø A = 10mm    Ø B = 7mm P37
- Ø A = 20mm    Ø B = 8mm P38